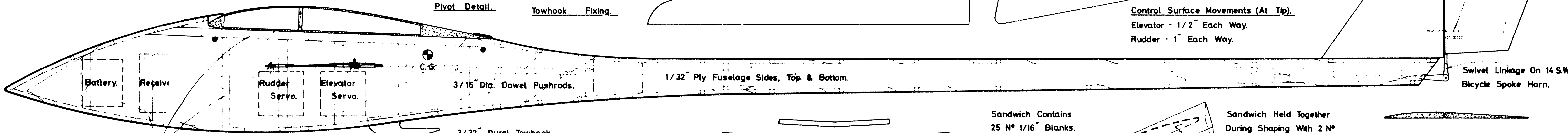
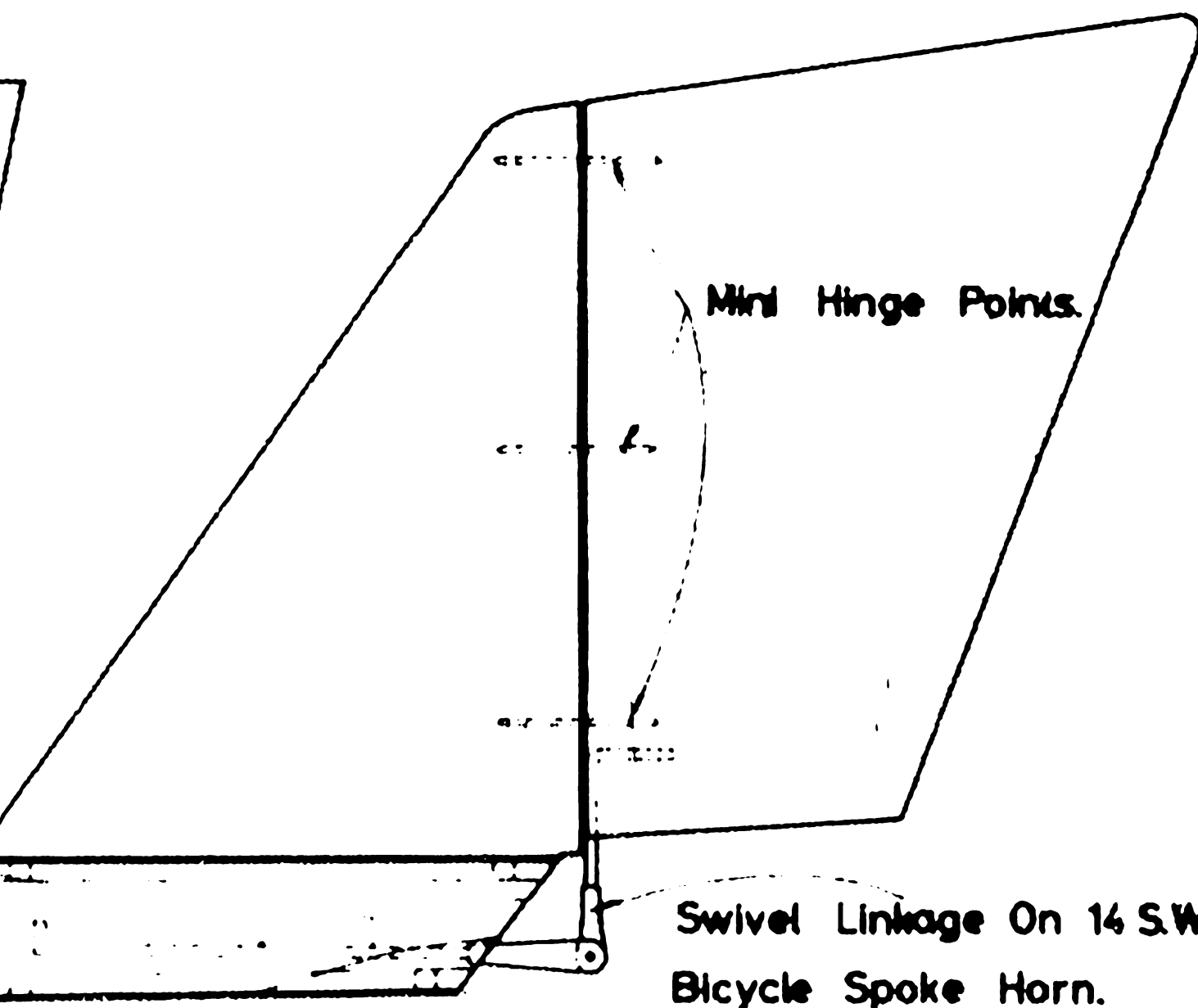
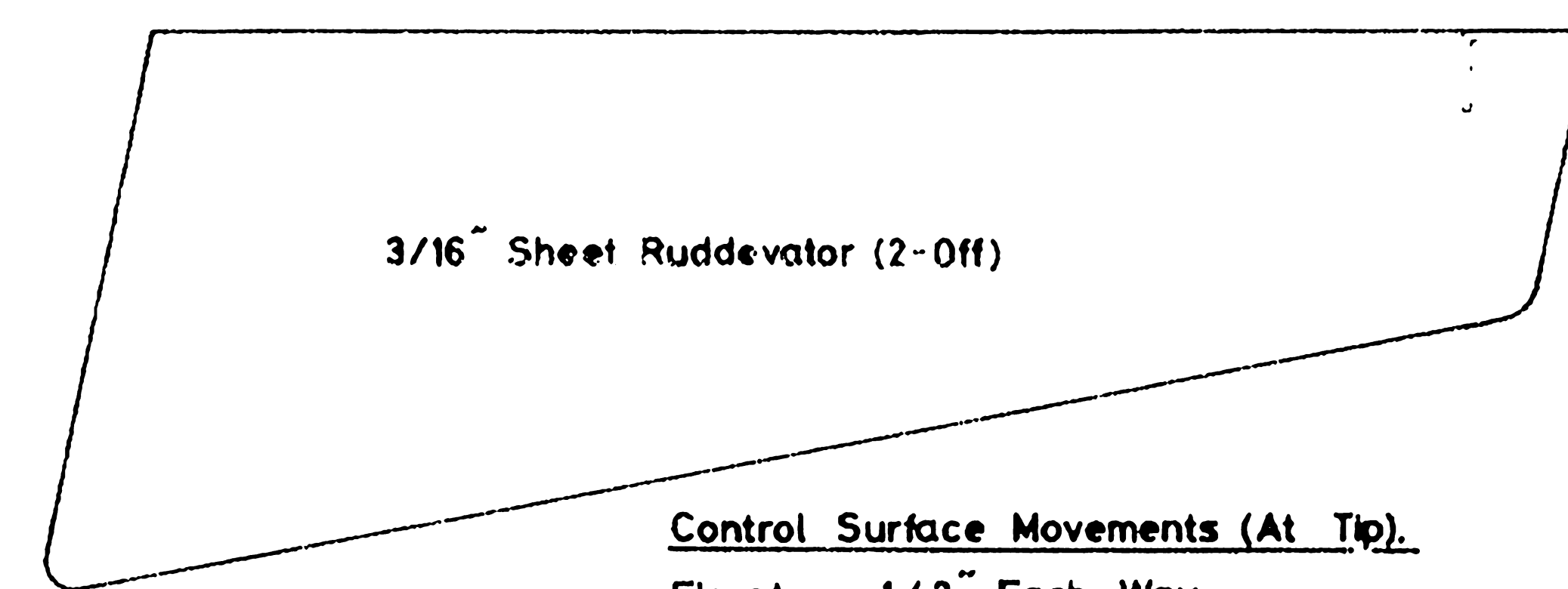
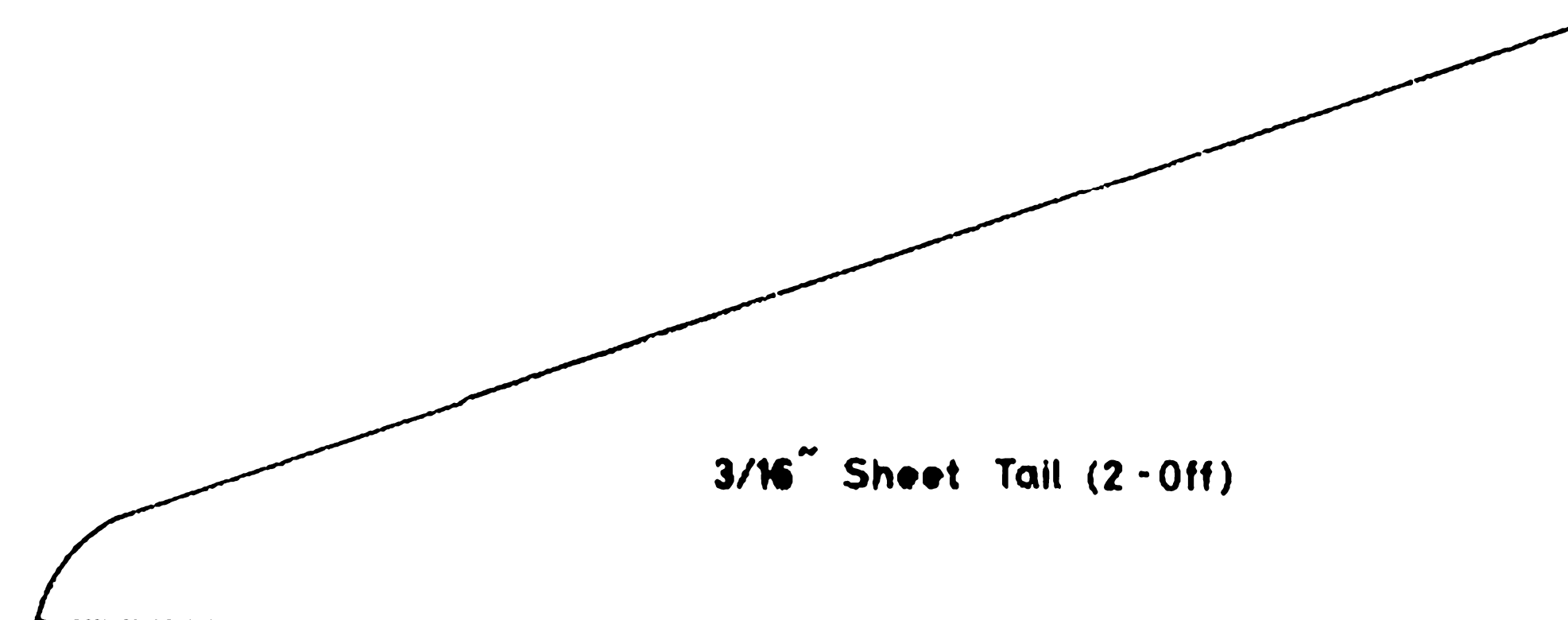
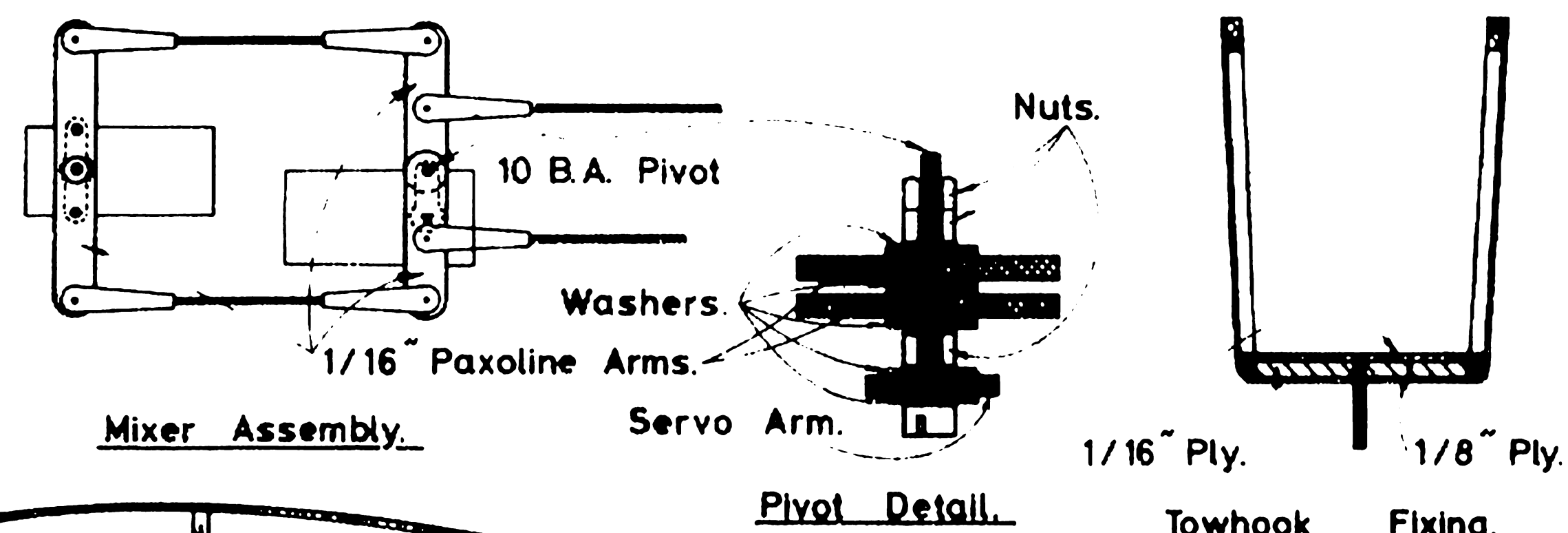
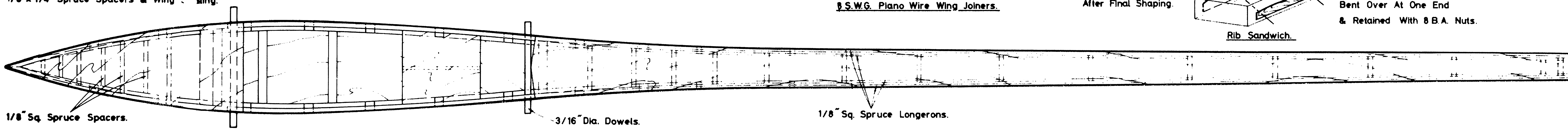


ALGEBRA
 designed by
S. Bannister
 copyright of
 The R.C.M.&E. Plans Service
 13-35 Bridge Street, Hemel Hempstead, Herts. SG9 6AB

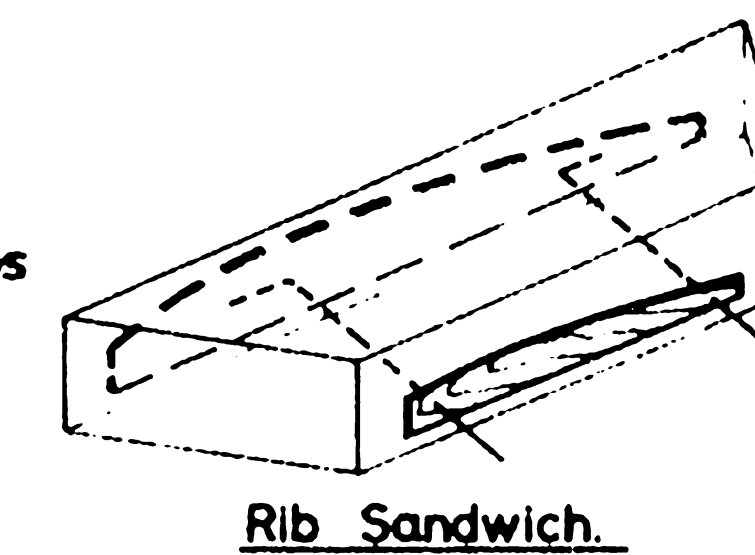
25



1/8" x 1/4" Spruce Spacers & Wing Ring.

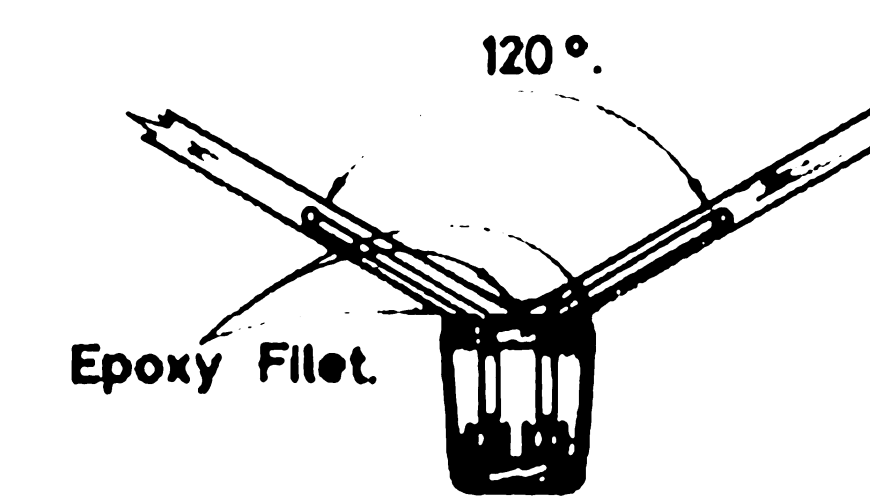


Sandwich Contains 25 No 1/16" Blanks. Discard 3 Largest Ribs After Final Shaping.



Sandwich Held Together During Shaping With 2 No 15 SWG Bicycle Spokes Bent Over At One End & Retained With 8 B.A. Nuts.

Tail & Ruddvator Section



Tail Assembly

1/8" Sq Spruce Spacers.

8 SWG Internal Dia. Brass Tubes.

1/8" Sheet Vertical Grain Webb.

3/16" Dia. Dowels.

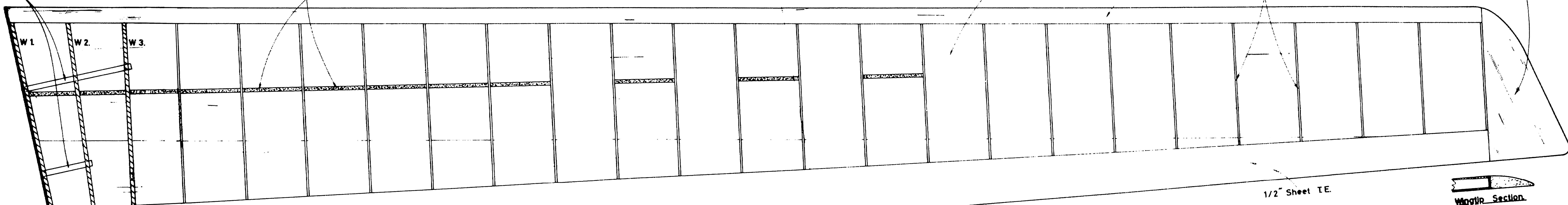
1/8" Sq Spruce Longerons.

Top Sheeting Omitted For Clarity.

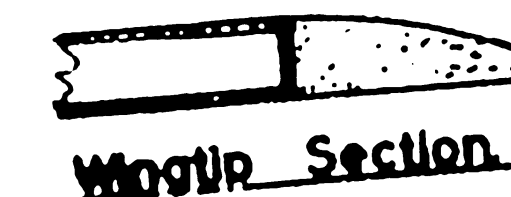
1/2" Sq. L.E.

1/16" Sheet Ribs.

1/2" Sheet Tips.



1/2" Sheet T.E.



1/16" Sheet Top & Bottom

6" Total Dihedral Measured With One Wing Panel Flat.

1/4" Washout At Tip, Progressive From Half Span.